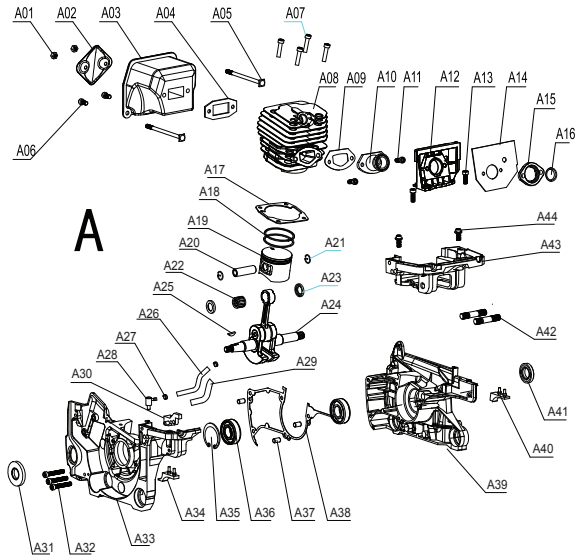
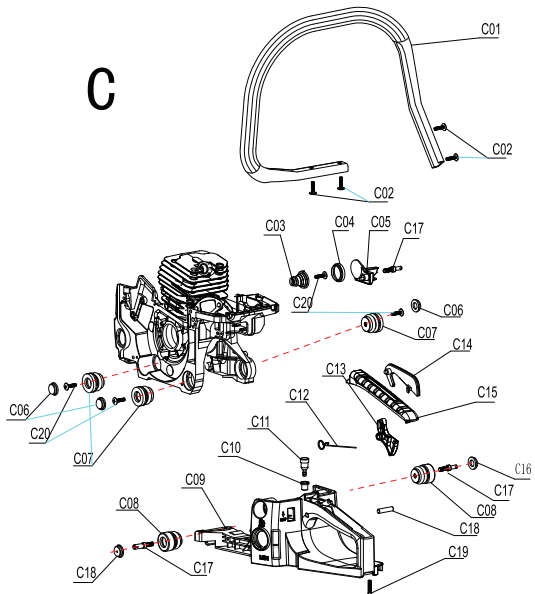


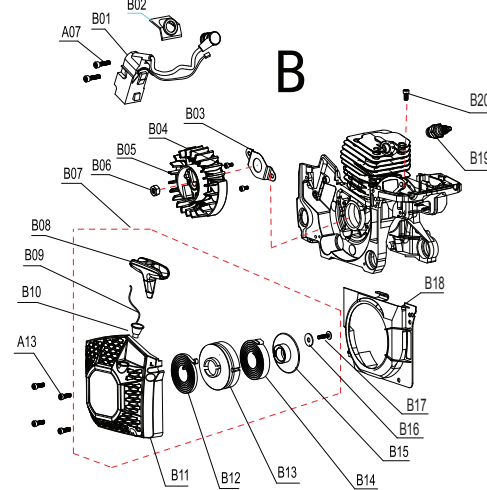
YS-5520G EXPLODED VIEW



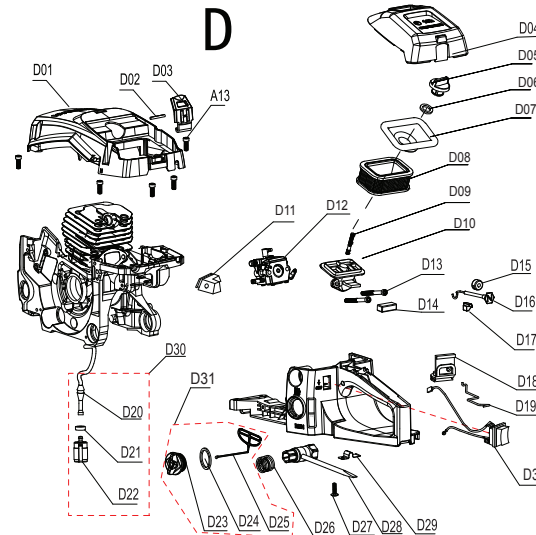
CODE	DESCRIPTION	QTY
A01	Nut M5	2
A02	Muffler cover	1
A03	Muffler	1
A04	Muffler gasket	1
A05	Muffler bolt M5x84	2
A06	Screw M5x10	2
A07	Screw M5x20	4
A08	Cylinder	1
A09	Inlet pipe gasket	1
A10	Inlet pipe	1
A11	Screw M5x12	2
A12	Carburetor bracket	1
A13	Screw M5x14	2
A14	Asbestos mat	1
A15	Spacer	1
A16	Lining ring	1
A17	Cylinder gasket	1
A18	Piston ring	2
A19	Piston	1
A20	Piston pin	1
A21	Piston clip	2
A22	Piston roller bearing KBK11x15x12.5	1
A23	Washer	2
A24	Crankshaft	1
A25	Woodruff key 3x10	1
A26	Vacuum pipe	1
A27	Vacuum pipe clip	2
A28	Elbow	1
A29	High-temperature sleeve	1
A30	Guide(LH)	1
A31	Oil seal(left)	1
A32	Screw M5x30	5
A33	Crankcase-left	1
A34	Crankcase damper-left	1
A35	Snap ring Φ35	1
A36	Bearing 6202	2
A37	Location pin	3
A38	Crankcase gasket	1
A39	Crankcase-right	1
A40	Crankcase damper-right	1
A41	Oil seal-right	1
A42	Double-screw bolt M8x42A	2
A43	Backseat	1
A44	Screw M5x12	2



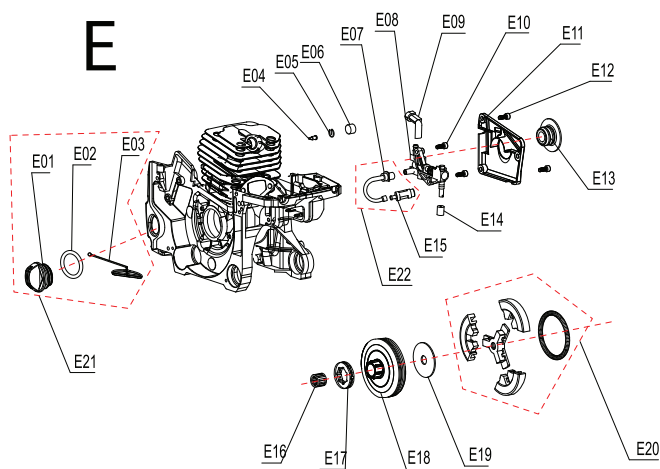
CODE	DESCRIPTION	QTY
C01	Front handle comp	1
C02	Screw ST4.8x16F	4
C03	Tower spring	1
C04	Tower spring seat	1
C05	Chain catcher	1
C06	Damper cover	3
C07	Crankcase damper	3
C08	Fuel tank damper	2
C09	Fuel tank	1
C10	Balancer seat	1
C11	Balancer assy	1
C12	Trigger spring	1
C13	Trigger	1
C14	Throttle interlock arm	1
C15	Rear handle cover	1
C16	Fuel tank damper cover	2
C17	Screw	3
C18	Trigger pin Φ6x25	1
C19	Screw ST3.9x20F	1
C20	Screw ST4.8x14F	4



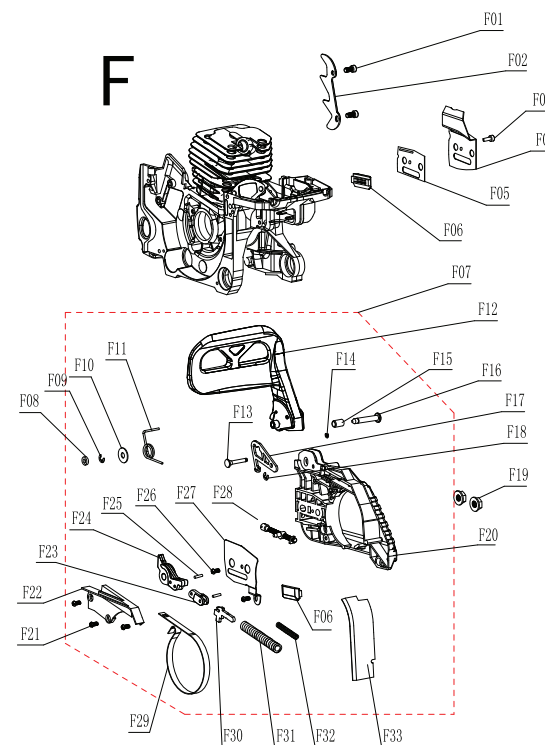
CODE	DESCRIPTION	QTY
B01	Ignition coil	1
B02	Ignition cover	1
B03	Oil seal plate	1
B04	Screw M4x8	2
B05	Flywheel	1
B06	Nut M8x1	1
B07	Starter assy	1
B08	Starter knob	1
B09	Starter rope Φ3x950	1
B10	Insert	1
B11	Starter cover	1
B12	Starter spring	1
B13	Start reel-big	1
B14	Recoil spring	1
B15	Start reel-small	1
B16	Washer Φ5.2xΦ16x1	1
B17	Screw M5x16	1
B18	Fan cover	1
B19	Spark plug L7T	1
B20	Screw M5x10	1
A07	Screw M5x20	2
A13	Screw m5x14	4



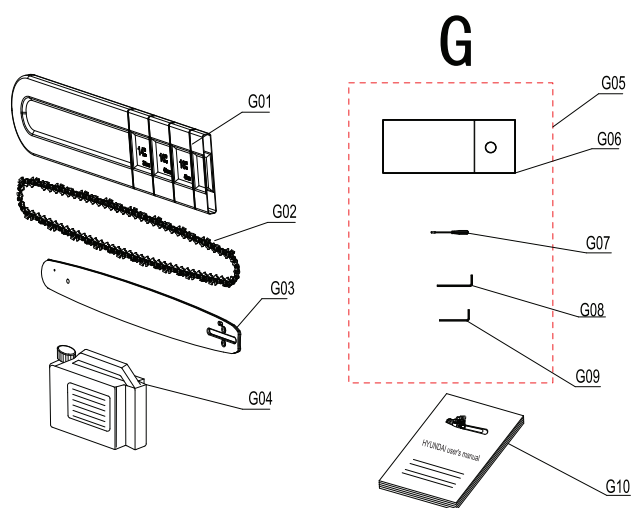
CODE	DESCRIPTION	QTY
D01	top cover	1
D02	Pin Φ3x31	1
D03	Cover lock-H	1
D04	Air filter cover	1
D05	Air filter knob	1
D06	Air filter knob washer	1
D07	Air filter gland	1
D08	Air filter	1
D09	Double-screw bolt M5x21	1
D10	Mainfold	1
D11	Guide(T)	1
D12	Carburetor	1
D13	Screw M5x50	2
D14	Mainfold damper	1
D15	Choke rod damper	1
D16	Choke rod	1
D17	Damper	1
D18	Dust shield	1
D19	Throttle rod	1
D20	Fuel pipe	1
D21	Pendant	1
D22	Fuel filter	1
D23	Fuel cap	1
D24	Washer	1
D25	Element	1
D26	Location spring	1
D27	Screw ST3.9x10F	1
D28	Wrench	1
D29	Wrench lock	1
D30	Fuel pipe assy	1
D31	Fuel cap assy	1
D32	On-off switch	1
A13	Screw M5x14	5



CODE	DESCRIPTION	QTY
E01	Oil cap	1
E02	Washer	1
E03	Element	1
E04	Oil tank valve	1
E05	Oil tank valve retainer	1
E06	Sponge	1
E07	Oil pipe	1
E08	Oil pump	1
E09	Oil pump pipe	1
E10	Screw M4x14	2
E11	Oil pump cover	1
E12	Screw M4x10	3
E13	Worm gear	1
E14	Sealed sponge	1
E15	Oil filter	1
E16	Clutch roller bearing Φ K12x15x14.5	1
E17	Sprocket	1
E18	Clutch drum	1
E19	Clutch washer	1
E20	Clutch assy	1
E21	Oil cap assy	1
E22	Oil pipe assy	1



CODE	DESCRIPTION	QTY
F01	Screw M5x10	2
F02	Spike bumper	1
F03	Screw M4x8	1
F04	Guide plate	1
F05	Guide plate gasket	1
F06	Chain guide	2
F07	Brake assy	1
F08	Brake damper	1
F09	Snap ring Φ 5	1
F10	Washer Φ 6.2x18x1	1
F11	Brake spring	1
F12	Front hand guard	1
F13	Stopper pin	1
F14	Snap ring Φ 3	1
F15	Front hand jacket	1
F16	Guard pin	1
F17	Stopper plate	1
F18	Snap ring Φ 4	1
F19	Nut M8x1.25	2
F20	Clutch cover	1
F21	Screw ST3.9x10F	3
F22	Brake spring cover	1
F23	Brake lever(sub)	1
F24	Brake lever(main)	1
F25	Brake lever pin 3x8.8	2
F26	Screw ST3.9x8F	2
F27	Tensioned plate	1
F28	Tensioned set	1
F29	Brake band	1
F30	Brake arm	1
F31	Brake spring(main)	1
F32	Brake spring(sub)	1
F33	Sawdust protector	1



CODE	DESCRIPTION	QTY.
G01	Bar cover	1
G02	Saw chain	1
G03	Guide bar	1
G04	Mixture bottle	1
G05	Toolkit	1
G06	Tool bag	1
G07	Screwdriver	1
G08	S4 Hexagon ring spanner	1
G09	S3 Hexagon ring spanner	1
G10	User's manual	1

RICAMBI DISPONIBILI

Legenda esploso 35030 / YS-5520G

Parte nr.	Codice	Descrizione (ITA)	Description (ENG)	EAN
da A-07 a A-44	93353	Motore completo	Engine	8028815933537
A-03-04	93349	Marmitta	Muffler	8028815933490
A-08-09-17-18-19-20-21-22-23	93354	Cilindro e pistone completo (kit)	Cylinder and piston (kit)	8028815933544
A-09-10	93609	Collettore aspirazione	Inlet pipe	8028815936095
A-33-38-39	96644	Scocca serbatoio olio	Oil tank and carter	8028815966443
B-01	35334	Bobina	Ignition coil	8028815353342
B-05	96640	Volano	Flywheel	8028815966405
B-07	95336	Gruppo avviamento	Starter assy	8028815953368
B-19	35326	Candela	Spark plug	8028815353267
C-05	96645	Pattino catena	Chain catcher	8028815966450
C-07-08	93196	Gommini antivibrazione (kit)	Antishock rubbers (kit)	8028815931960
D-04-05-06	96622	Carter protezione filtro aria	Air filter cover	8028815966221
D-08	36348	Filtro aria HEPA	Air filter	8028815363488
D-12	35335	Carburatore	Carburetor	8028815353359
D-22	36625	Filtro miscela	Fuel filter	8028815366250
D-31	96642	Tappo serbatoio carburante	Fuel tank cap	8028815966429
D-32	96345	Interruttore on/off	Switch on/off	8028815963459
D-30	93373	Tubi carburante (kit)	Fuel pipes	8028815933735
E-21	96643	Tappo serbatoio olio	Oil tank cap	8028815966436
E-08	96524	Pompa olio	Oil pump	8028815965248
E-11-12-13	93128	Vite senza fine e carter pompa olio	Worm gear and oil pump cover	8028815931281
E-17	96648	Pignone	Sprocket	8028815966481
E-18	93483	Campana frizione	Clutch drum	8028815934831
E-20	93266	Frizione	Clutch	8028815932660
E-22	93374	Filtro olio e tubi (kit)	Oil filter and pipes	8028815933742
F-07	93310	Freno motore	Brake assy	8028815933100
G-02	35332	Catena di taglio	Saw chain	8028815353328
G-03	35034	Barra di taglio	Bar	8028815350341
n/a	93341	Primer	Primer	8028815933414
C-09-10-11-12-13-14-15	93356	Manico acceleratore completo	Handle assy	8028815933568
Optional	35001	Borsa	Bag	8028815350013