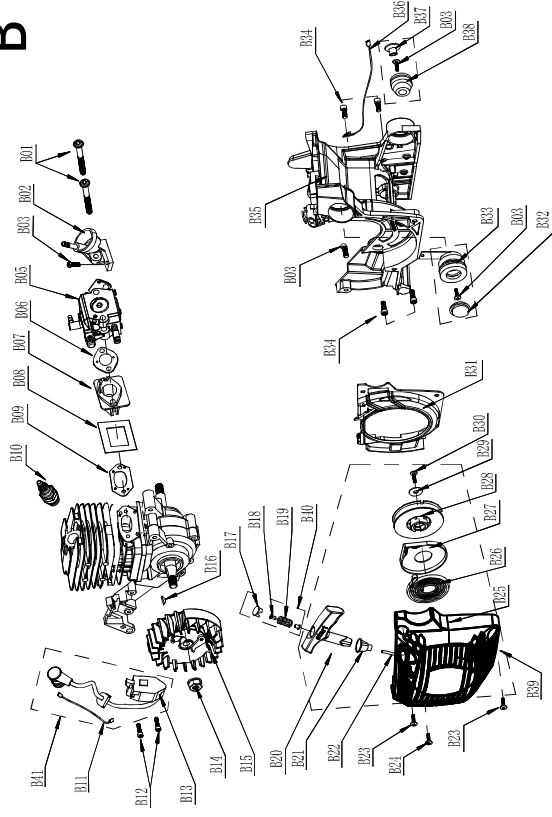
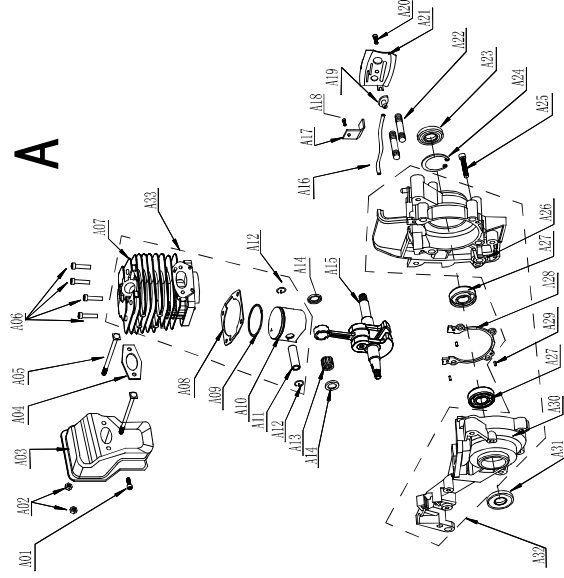


B



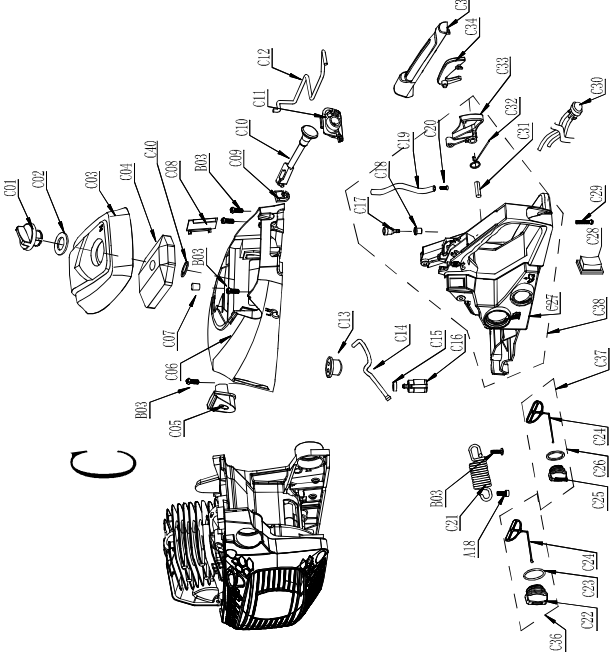
- A01 Screw M5*10
- A02 Nut M5
- A03 Muffler
- A04 Muffler gasket
- A05 Muffler bolt M5*60
- A06 Screw M5*20
- A07 Cylinder
- A08 Cylinder gasket
- A09 Piston ring
- A10 Piston
- A11 Piston pin
- A12 Piston clip
- A13 Needle bearing HK141011
- A14 Washer
- A15 Crankshaft
- A16 Oil pipe
- A17 Chain catcher plate
- A18 Screw M5*12
- A19 Oil outlet
- A20 Screw M4*10
- A21 Baffle
- A22 Double bolt
- A23 Oil seal-right
- A24 Intertal circlip
- A25 Screw M5*30
- A26 Crankcase-right
- A27 Bearing 6201
- A28 Crankcase gasket
- A29 Crankcase locating pin
- A30 Crankcase-left
- A31 Oil seal-left
- A32 crankcase assy
- A33 Cylinder&piston sets

A

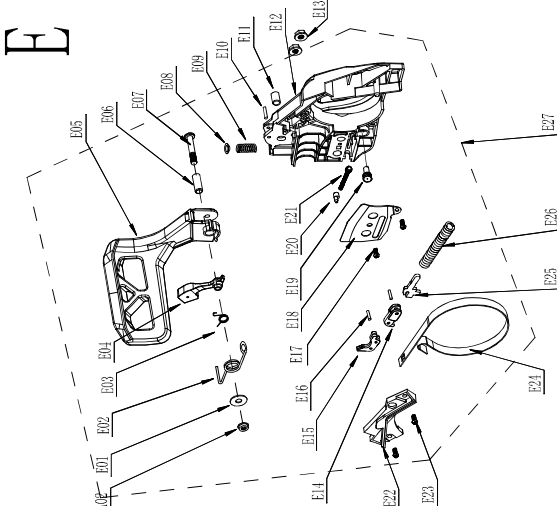


- B01 Carburetor bolt M*70
- B02 Mainfold
- B03 Screw ST4.8*16F
- B05 Carburetor
- B06 Carburetor gasket
- B07 Inlet pipe
- B08 Heat-proof gasket
- B09 Heat pipe gasket
- B10 Spark plug
- B11 Flameout cord
- B12 Screw M4*14
- B13 Ignition coil
- B14 Nut M8*1
- B15 Flywheel
- B16 Woodruff key
- B17 Dust cap
- B18 Starter spring seat
- B19 Starter spring
- B20 Starter knob
- B21 Rope mouth
- B22 Starter rope
- B23 Screw ST4.8*16F
- B24 Screw ST4.8*19F
- B25 Starter cover
- B26 Recoil spring
- B27 Recoil spring cover
- B28 Starter reel
- B29 Flat gasket
- B30 Screw ST4.8*14F
- B31 Fan cover
- B32 Damper cover(A)
- B33 Damper
- B34 Screw M5*16
- B35 Crankcase mounting bracket
- B36 Ground cord
- B37 Damper cover(B)
- B38 Damper
- B39 Starter assy
- B40 Starter buffer components.
- B41 Ignition coil assy

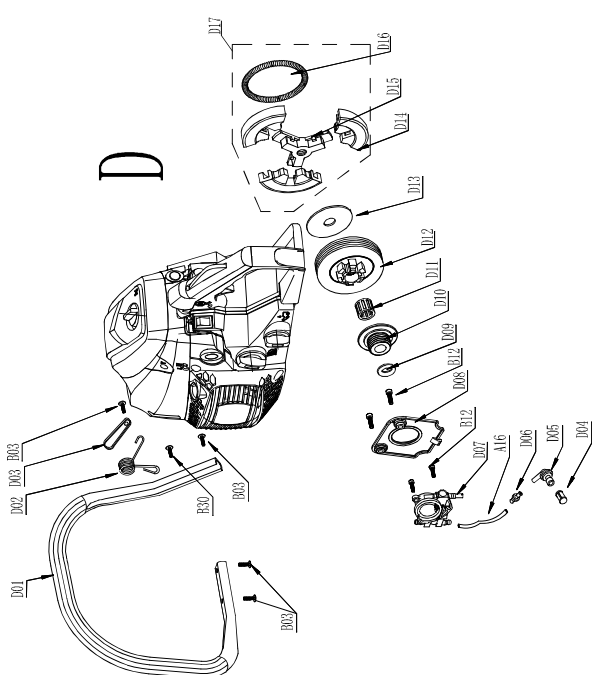
- C01 Airfilter knob
- C02 Airfilter knob washer
- C03 Air filter cover
- C04 Air filter
- C05 Idle adjusting sleeve
- C06 Top cover
- C07 Airfilter damper
- C08 Freeze protection board
- C09 Choke rod jacket
- C10 Choke rod
- C11 Dust protector
- C12 Throttle rod
- C13 Fuel pipe seal
- C14 Fuel pipe
- C15 Pendant
- C16 Fuel filter
- C17 Balancer
- C18 Balancer seat
- C19 Oil tank balance pipe
- C20 Screw ST3.5*8
- C21 Damper spring
- C22 Fuel cap
- C23 Fuel cap seal
- C24 Fuel cap hanger
- C25 Oil cap
- C26 Oil cap seal
- C27 Oil cap hanger
- C28 On&off switch
- C29 Screw ST4.8*25c
- C30 Primer bulb
- C31 Round pin
- C32 trigger spring
- C33 Trigger
- C34 Trigger controller
- C35 Rear handle cover
- C36 Fuel cap assy
- C37 Oil cap assy
- C38 Fuel ank assy



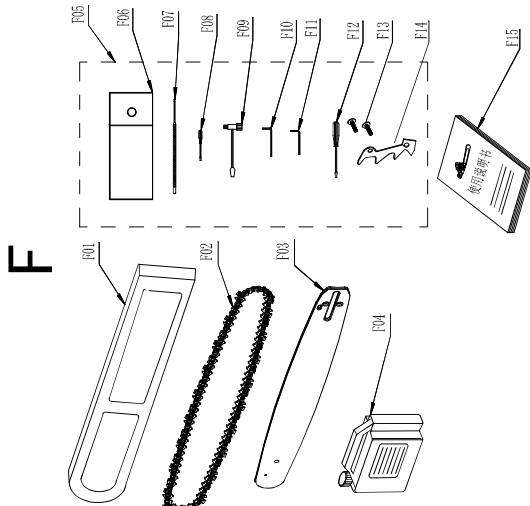
- E01 Flat washer
- E02 Brake torsional spring
- E03 Hammer spring
- E04 Hammer
- E05 Front guard
- E06 Front guard pin bush
- E07 Screw M5*40
- E08 Spring cover
- E09 Spring
- E10 Roller pin P3*13.8
- E11 Pin sleeve
- E12 Brake cover
- E13 Nut M8
- E14 Brake level-sub.
- E15 Brake level-main
- E16 Roller pin P3*8.8
- E17 Screw 3.9*8F
- E18 Tensioner plate
- E19 Tensioner driving gear
- E20 Tensioner bolt
- E21 Tensioner driven gear
- E22 Brake spring cover
- E23 Screw ST3.9*10F
- E24 Brake belt
- E25 Brake supporter
- E26 Brake spring
- E27 Brake assy
- A02 Nut M5



- D01 Handle comp
- D02 Handle comp damper spring
- D03 Spring jacket
- D04 Oil filter
- D05 Oil filter plug
- D06 Pipe joint
- D07 Oil pump
- D08 Oil pump plate
- D09 Washer
- D10 Worm gear
- D11 Needle bearing
- D12 Clutch drum
- D13 Clutch washer
- D14 Clutch body
- D15 Clutch bracket
- D16 Clutch spring
- D17 Clutch assy
- A16 Oil pipe
- B12 Screw M4*14
- B03 Screw ST4.8*16F
- B30 Screw ST4.8*14F



- F01 Guide bar cover
- F02 Chain
- F03 Guide bar
- F04 Fuel&oil mixture bottle
- F05 Toolkits assy
- F06 Toolkits
- F07 File
- F08 Screwdriver
- F09 Socket spanner
- F10 S4 spanner
- F11 S3 spanner
- F12 Cross screwdriver
- F13 Screw for spiker bump
- F14 Spiker bump
- F15 Manual



RICAMBI DISPONIBILI

Legenda esploso 35010 / YS-3816S

Parte nr.	Codice	Descrizione (ITA)	Description (ENG)	EAN
A - completo	93926	Motore completo	Engine	8028815939263
A 03	93348	Marmitta	Muffler	8028815933483
A 33	96256	Cilindro e pistone completo (kit)	Cylinder and piston (kit)	8028815962568
B 06-07-08-09	93605	Collettore aspirazione	Inlet pipe	8028815936057
B 13	93802	Bobina	Ignition coil	8028815938020
B 15	93927	Volano	Flywheel	8028815939270
B 39	93902	Gruppo avviamento	Starter assy	8028815939027
B 10	93453	Candela	Spark plug	8028815934534
B 33-38	93195	Gommini antivibrazione (kit)	Antishock rubbers (kit)	8028815931953
C 01-02-03	93930	Carter protezione filtro aria	Air filter cover	8028815939300
C 04	35012	Filtro aria	Air filter	8028815350129
B 05	93503	Carburatore	Carburetor	8028815935036
C 16	36625	Filtro miscela	Fuel filter	8028815366250
C 36	96642	Tappo serbatoio carburante	Fuel tank cap	8028815966429
C 28	96647	Interruttore on/off	Switch on/off	8028815966474
C 13-14-15-16	93931	Tubi carburante (kit)	Fuel pipes	8028815939317
C 37	96643	Tappo serbatoio olio	Oil tank cap	8028815966436
D 07	93278	Pompa olio	Oil pump	8028815932783
D 08-09-10	93187	Vite senza fine e carter pompa olio	Worm gear and oil pump cover	8028815931878
D 11-12	93929	Campana frizione e pignone	Clutch drum	8028815939294
D 17	93267	Frizione	Clutch	8028815932677
A 16, D 04-05, C 17-18-19-20	96628	Filtro olio e tubi (kit)	Oil filter and pipes	8028815966283
E 27	93308	Freno motore	Brake assy	8028815933087
F 02	35312	Catena di taglio	Saw chain	8028815353120
F 03	35311	Barra di taglio	Bar	8028815353113
C 30	93341	Primer	Primer	8028815933414
C 38	96866	Manico acceleratore e serbatoi	Fuel tank assy	8028815968669
Optional	35003	Borsa	Bag	8028815350037

